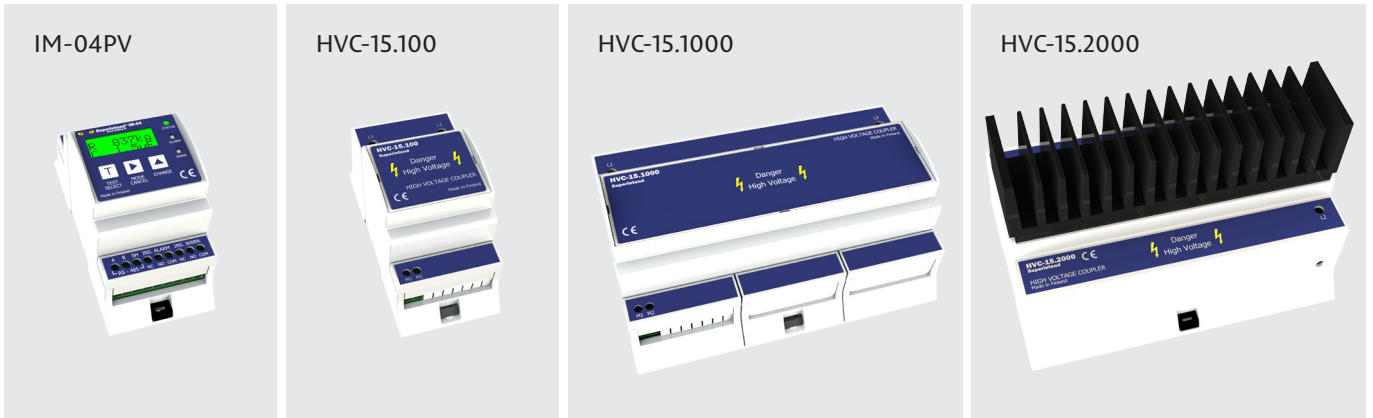


Trafo Ω x Superintend[®]



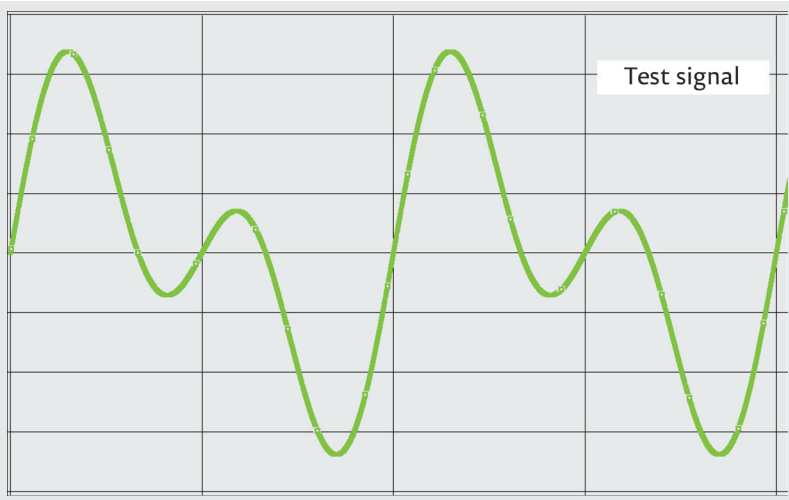
IMD Insulation Monitoring System for Photovoltaic applications and Energy storage systems

Line Insulation Monitoring System

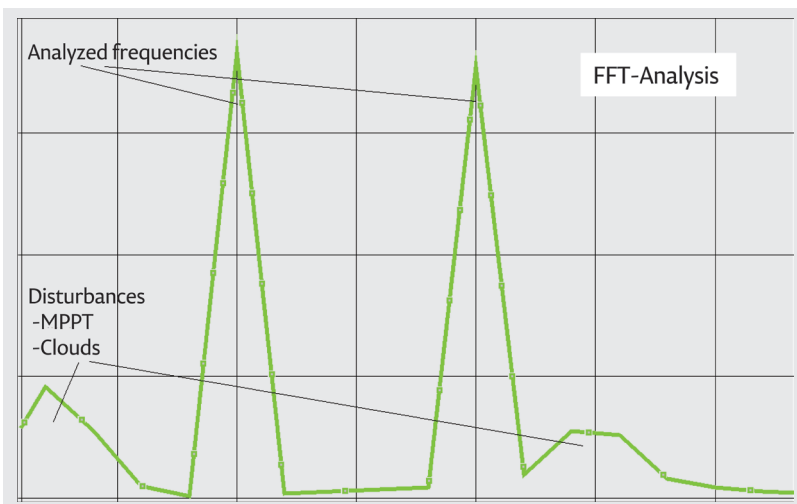


NEW! LINE INSULATION MONITORING SYSTEM FOR PV APPLICATIONS AND ENERGY STORAGE SYSTEMS!

- Immune against disturbances (clouds and frequency disturbances), FFT
- For voltages up to 1500 VDC with high voltage couplers
- Quality and reliability from Finland
- Suitable also for other AC and DC high voltage systems



- Test signal adapted to the PV system parameters, observing also possible disturbances
- Test signal based on two sinusoidal waves of different frequencies



- Measured test current FFT analyzed and $C_{insulation}$ and $R_{insulation}$ calculated
- Improved immunity against disturbances of MPPT, clouds and shadows
- Fast and accurate measurements on wide range

Power supply specifications

Nominal Input voltage	110-240 VAC, 110-300 VDC
Line frequency	48 ~ 62 Hz

Measurement specification HVC-15.100 / HVC-15.1000 / HVC-15.2000

Maximum DC input voltage	1500 VDC
Maximum AC input voltage	1081 VAC
Resistance measurement range	5kΩ...1MΩ / 10kΩ...1MΩ / 10kΩ...1MΩ With better than 15% accuracy
Capacitance measurement range	1 uF...100/1000/2000 uF
Alarm range	10kΩ...1MΩ
Measuring impedance	308 kΩ / 99 kΩ / 70 kΩ
Test voltage	25 Vp

Two alarm contacts with settable limits (potential free changeover)

Alarm contact	5A at 250VAC
Pre-alarm contact	5A at 250VAC

Other functions

RS-485 serial connection for remote monitoring / controlling	
Easy and explanatory user interface	LEDs and backlit LCD display
Self-testing automatic	Periodic
Self-testing immediate	With TEST button

Standards

Measurements	IEC 61557-8, IEC 62109-2
Safety	IEC 61010-1, EN61800-5-1
EMC	IEC 61326-2-4

General

Operating temperature range	-25...+50°C	
Storage temperature range	-30...+70°C.	
Dimension (WxLxD)	IM-04PV	54 x 110 x 62 mm
	HVC-15.100	54 x 110 x 62 mm
	HVC-15.1000	160 x 110 x 62 mm
	HVC-15.2000	160 x 110 x 98 mm
Weight	IM-04PV	180 g
	HVC-15.100	94 g
	HVC-15.1000	201 g
	HVC-15.2000	800 g
Case Material	Plastic	
Mounting interface	DIN rail clamp	

IM-04PV



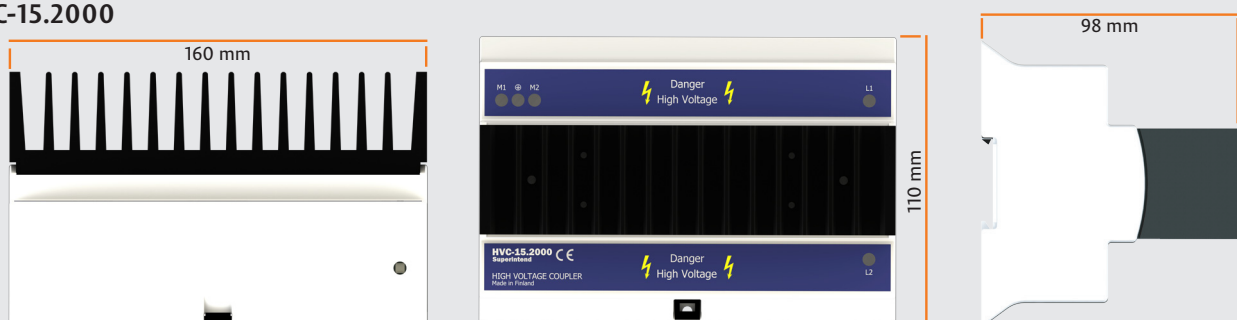
HVC-15.100

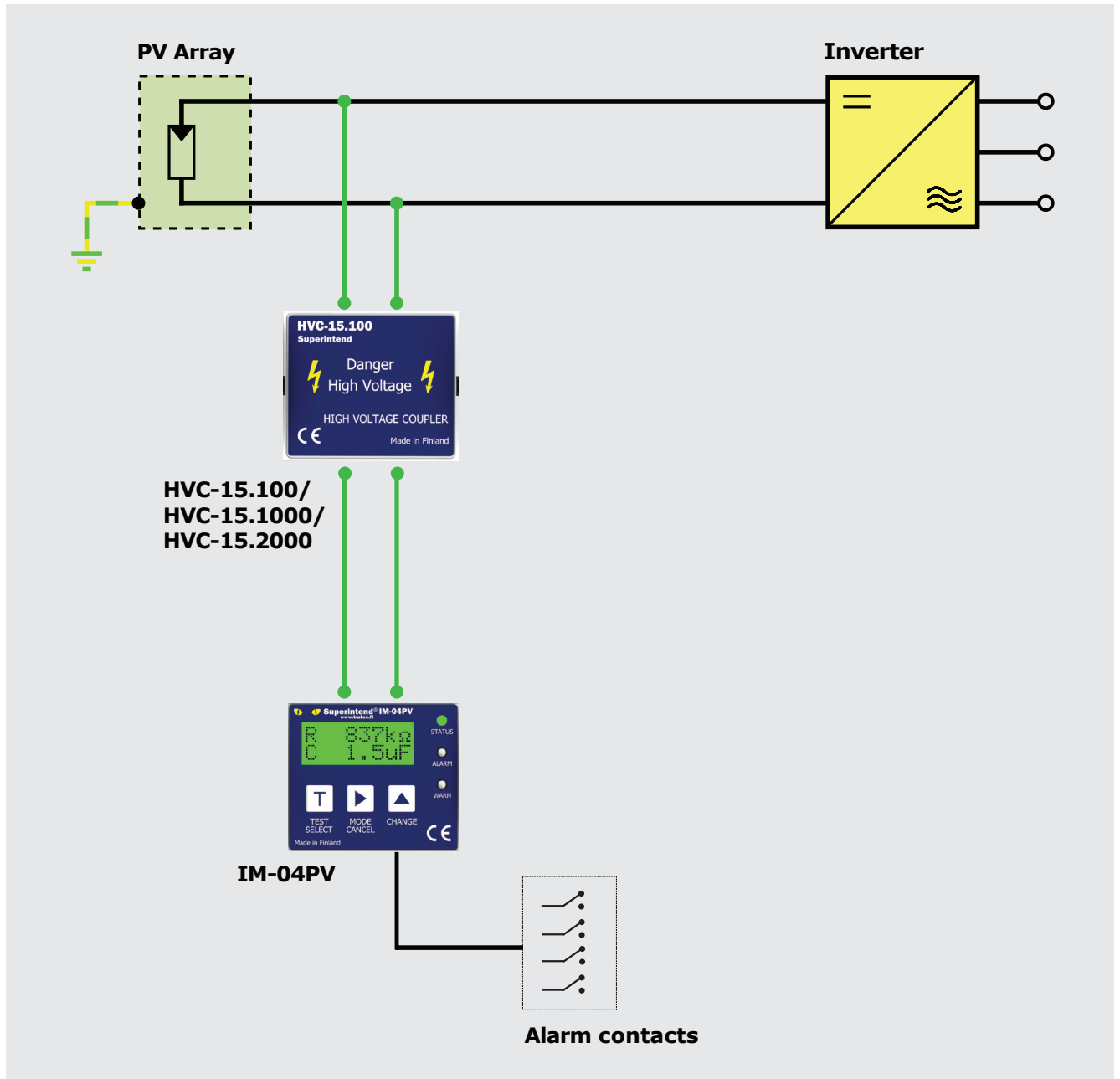


HVC-15.1000



HVC-15.2000





Muuntosähkö

Trafox is a brand of Muuntosähkö Oy. We develop, manufacture and customise high-quality transformers, chokes, filters and Trafox Superintend® monitoring devices for a large number of applications.

MUUNTOSÄHKÖ OY TRAFIX
 P.O. Box 10 | FI-00621 Helsinki | Tel. +358 207 933 700 | Fax +358 207 933 746 | sales@trafox.fi



www.trafox.fi